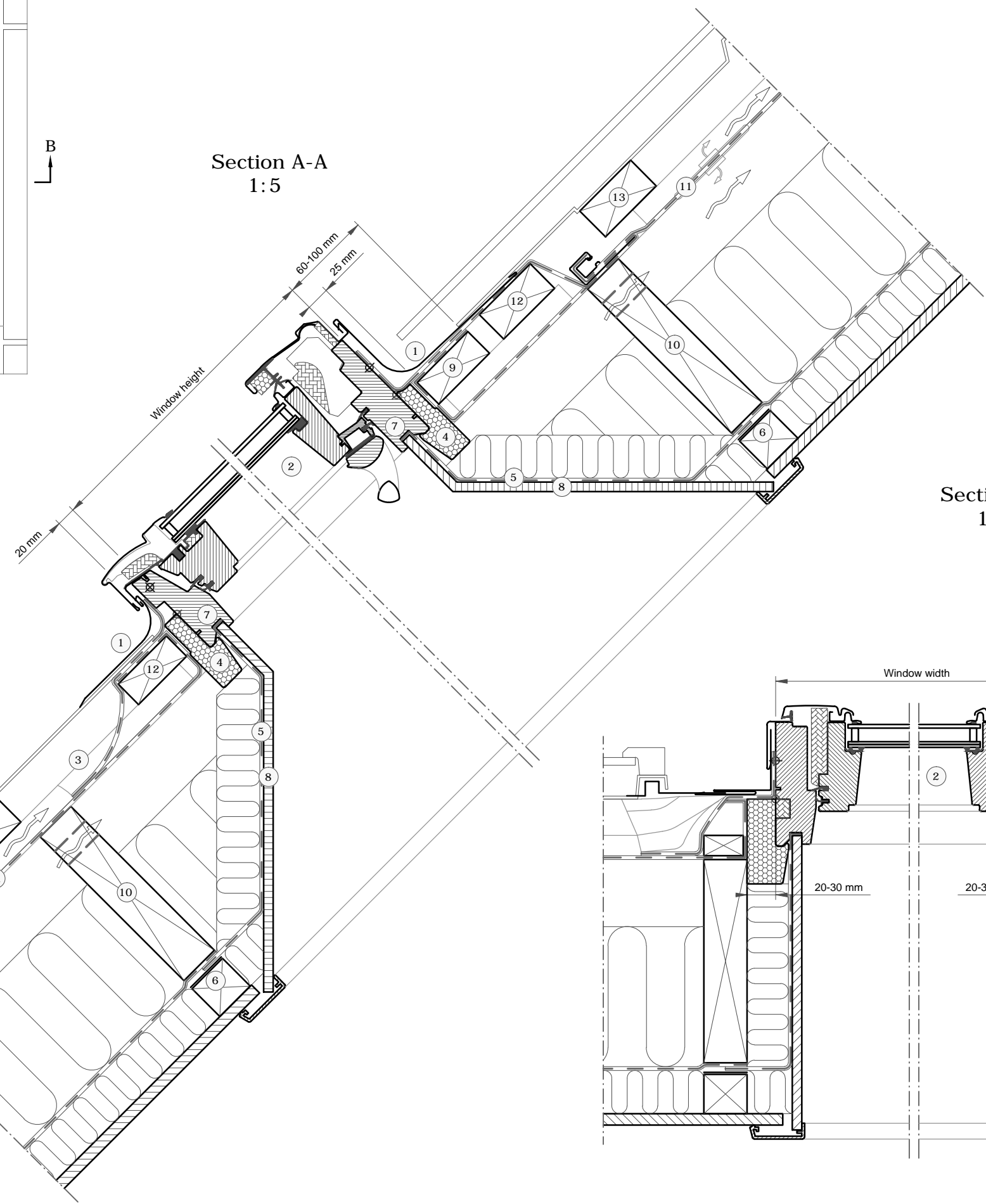
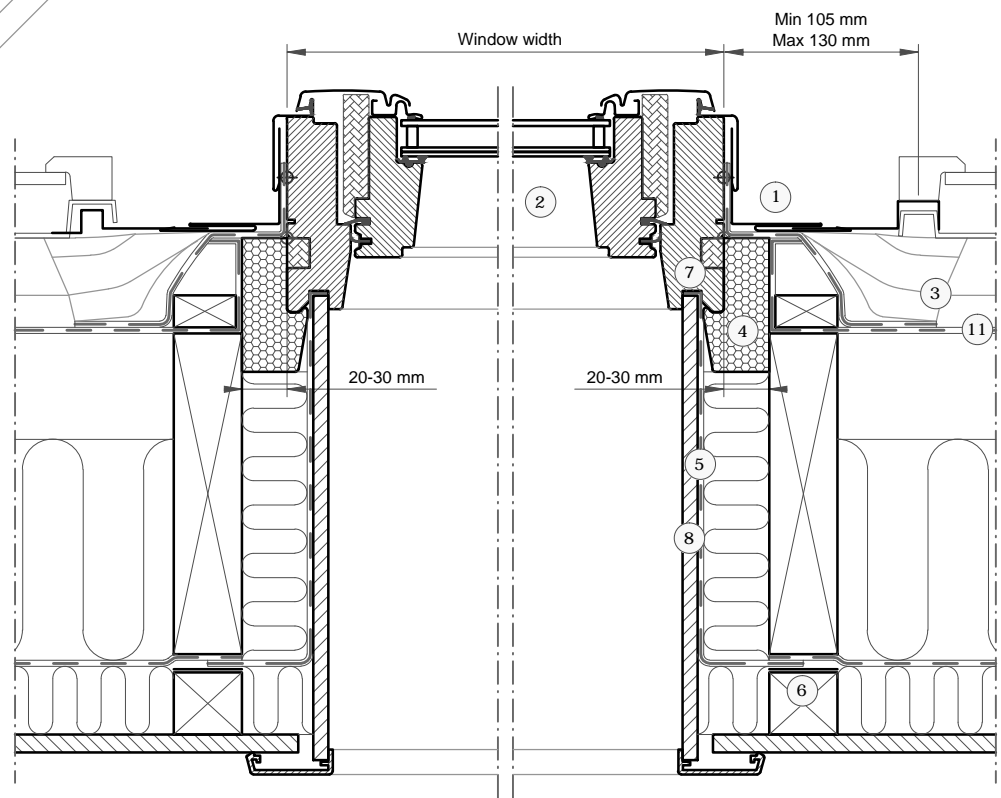


Section A-A
1:5



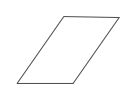
Section B-B
1:5



- ① GSE special flashing (15°-90°)
- ② VELUX window (GGL 15°-90°)
- ③ VELUX underfelt collar (BFX)
- ④ VELUX insulation frame (BDX)
- ⑤ VELUX vapour barrier (BBX)
- ⑥ VELUX vapour barrier tape (BBX)
- ⑦ Gasket on BBX in window rebate
- ⑧ VELUX Lining (LS-)
- ⑨ Installation batten (Non VELUX)
- ⑩ Trimmer where necessary (Non VELUX)
- ⑪ Felt/breather membrane (Non VELUX)
- ⑫ Installation batten (Non VELUX) Overlap
- ⑬ Installation batten (Non VELUX) Panel attachment

Roof covering:

GSE



VELUX Products:

GGL
15°-90°



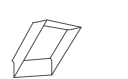
BDX



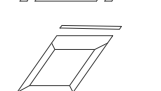
GSE
Special flashing



BBX



BFX



LS-



VELUX window sizes:

Size	Width (mm)	Size	Height (mm)
MK--	780	-K08	1398

GSE Portrait size:

Height (mm)	Width (mm)
1640	992
1640	1001
1640	1016
1640	1046

© VELUX GROUP ® VELUX, VELUX logo are registered trademarks

VELUX

File name: GSE-GGL-XXX-0318

Drawing no.: --- SCo: ---

Create date: 20.06.2018	Rev. date:	Format: A3	Scale: 1:5
----------------------------	------------	---------------	---------------

Note: When installing VELUX Roof Windows, flashings and installation products, the manufacturers instructions and current building and fire regulations, where applicable, must be met.